

# Smart String Energy Storage System



## More Usable Energy

100% Depth of Discharge  
Pack Level Energy Optimization



## Flexible Investment

5kWh Modular Design,  
Scalable from 5 to 30 kWh



## Safe & Reliable

Lithium Iron Phosphate (LFP) Cell



## Easy Installation

12 kg Power Module  
50 kg Battery Module



## Quick Commissioning

Automatically Detected in App

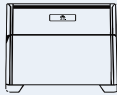




## Perfect Compatibility

Compatible to Both Residential  
Single & Three Phase Inverter

# LUNA2000-5/10/15-S0

## Technical Specification

Technical Specification	LUNA2000-5-S0	LUNA2000-10-S0	LUNA2000-15-S0
			

### Performance

Power module	LUNA2000-5KW-C0		
Number of power modules	1		
Battery module	LUNA2000-5-E0		
Battery module energy	5 kWh		
Number of battery Modules	1	2	3
Battery usable energy <sup>1</sup>	5 kWh	10 kWh	15 kWh
Max. output power	2.5 kW	5 kW	5 kW
Peak output power	3.5 kW, 10 s	7 kW, 10 s	7 kW, 10 s
Nominal voltage (single phase system)	450 V		
Operating voltage range (single phase system)	350 – 560 V		
Nominal voltage (three phase system)	600 V		
Operating voltage range (three phase system)	600 – 980 V		

### Communication

Display	SOC status indicator, LED indicator
Communication	RS485 / CAN (only for parallel operation)

### General Specification

Dimension (W*D*H)	670 * 150 * 600 mm (26.4 * 5.9 * 23.6 inch)	670 * 150 * 960 mm (26.4 * 5.9 * 37.8 inch)	670 * 150 * 1320 mm (26.4 * 5.9 * 60.0 inch)
Weight (Floor stand toolkit included)	63.8 kg (140.7 lb)	113.8 kg (250.9 lb)	163.8 kg (361.1 lb)
Power module dimension (W*D*H)	670 * 150 * 240 mm (26.4 * 5.9 * 9.4 inch)		
Power module weight	12 kg (26.5 lb)		
Battery module dimension (W*D*H)	670 * 150 * 360 mm (26.4 * 5.9 * 14.0 inch)		
Battery module weight	50 kg (110.2 lb) <sup>2</sup>		
Installation	Floor stand (standard), Wall mount (optional)		
Operating temperature	-20°C ~ +55°C (-4°F ~ 131°F) <sup>3</sup>		
Max. operating altitude	4,000 m (13,123 ft.) (Derating above 2,000 m)		
Environment	Outdoor / Indoor <sup>4</sup> (*Please refer to the user manual for installation condition)		
Relative humidity	5% ~ 95%		
Cooling	Natural convection		
Protection rating	IP 66		
Noise emission	< 29 dB <sup>5</sup>		
Cell technology	Lithium-iron phosphate (LiFePO4)		
Scalability	Max. 2 systems in parallel operation		
Compatible inverters	SUN2000-2/3/3.68/4/4.6/5/6KTL-L1, SUN2000-3/4/5/6/8/10KTL-M0 <sup>6</sup> , SUN2000-3/4/5/6/8/10KTL-M1		

### Standard Compliance (more available upon request)

Certificates	CE, RCM, CEC, VDE2510-50, IEC62619, IEC 60730, UN38.3
--------------	---

### Ordering and Deliverable Part

Product ordering model <sup>7</sup>	LUNA2000-5KW-C0, LUNA2000-5-E0, LUNA2000 Wall Mounting Bracket
-------------------------------------	--

- Test conditions: 100% depth of discharge (DoD), 0.2C rate charge & discharge at 25°C, at the beginning of life. If no PV modules are installed or the system has not detected sunlight for at least 24 hours, the minimum end of discharge SOC is 15%.
- The weight of the battery module is subject to the actual product, with a tolerance of ±3%.
- Refer to battery warranty letter for conditional application.
- Improper storage system installation may compromise product warranty and operation safety. Please follow the user manual during the installation, use, and maintenance of the storage system.
- Noise Level(Typical):<29 dB(A) @1m, 30°C, Power On and Run Stably for 2 Hours
- Please contact local engineer for the compatibility between the SUN2000-3/4/5/6/8/10KTL-M0 with the LUNA2000.
- Storage system is ordered and delivered in the form of power module and battery module separately with corresponding quantity.